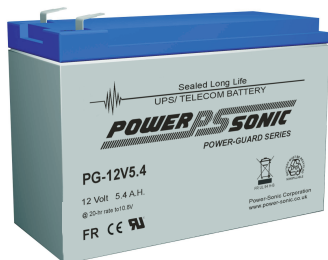
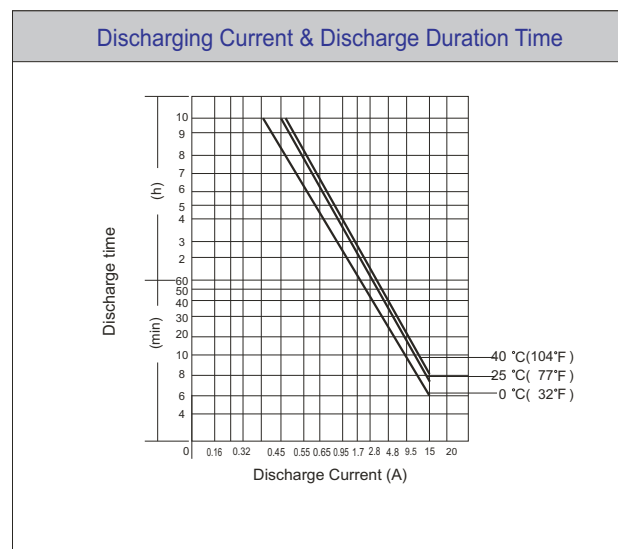
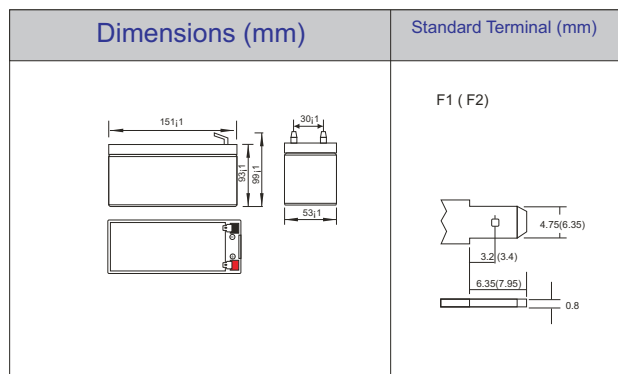


**POWER-GUARD SERIES**®

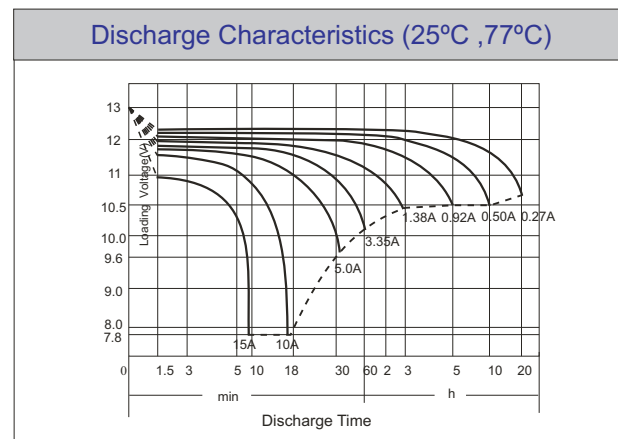


**PG12V5.4**

VRLA Sealed Long Life Battery



Physical Specification	
Nominal Voltage	12V
Nominal Capacity (20HR)	5.4AH
Dimension	Length 151+/-1mm (5.95 inches)
	Width 53+/-1mm (2.09 inches)
	Container Height 93+/-1mm (3.66 inches)
	Total Height (with Terminal) 99+/-1mm (3.90 inches)
Weight	Approx 1.98kg (4.37lbs)
Standard Terminal	F1/F2 (standard)



Electrical Specification			
Rated Capacity	20 hour rate (270mA)	5.4AH	Cycle Initial Charging Current less than 1.5A. Voltage 14.4V~ 15.0V at 25°C (77°F) Temp. Coefficient -30mV/°C
	10 hour rate (500mA)	5.0AH	
	5 hour rate (0.92 A)	4.6AH	
	1 hour rate (3.35A)	3.35AH	
	15minute rate (10.58A)	2.65AH	
Capacity affected by Temperature	40°C (104°F)	103%	Standby No limit on Initial Charging Current Voltage 13.5V~13.8V at 25°C(77°F) Temp. Coefficient - 20mV/°C
	25°C (77°F)	100%	
	0°C (32°F)	86%	

**Constant Current (Amp) and Constant Power (Watt) Discharge Table (25°C, 77°F)**

Time(minute) Final voltage/Cell	5	10	15	20	30	45	60	120	180	300	600	1200
<b>Amp/Watt/Cell</b>	1.3	1.3	1.3	1.3	1.6	1.6	1.67	1.7	1.75	1.75	1.75	1.8
Amps	21.60	15.39	10.58	8.64	6.21	4.32	3.35	1.89	1.38	0.92	0.50	0.27
W/Cell	38.66	28.94	20.14	16.90	12.20	8.59	6.64	3.76	2.74	1.84	1.00	0.54